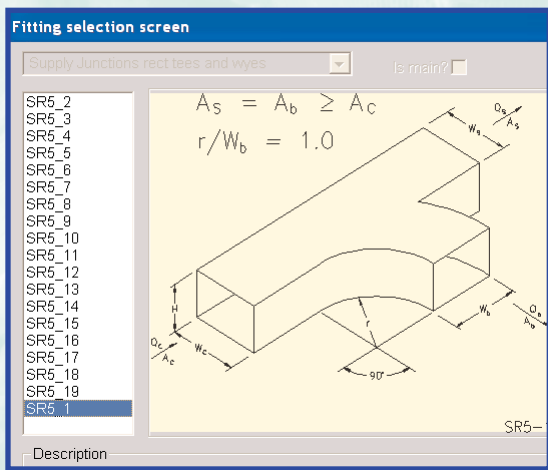
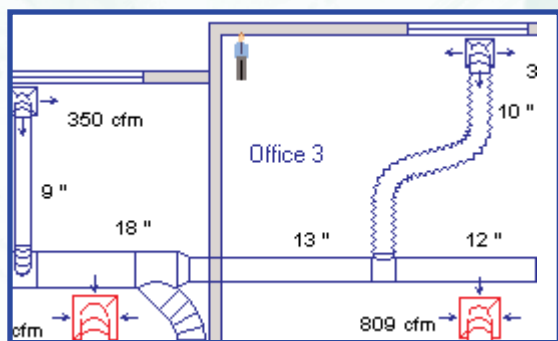


right-suite™

COMMERCIAL



Right-CommDuct contains hundreds of duct fittings in the Right Suite Commercial database: These correspond and originate from the ASHRAE duct database of fittings and cover a large range of angles and types. Fittings are automatically selected for the designer based on the duct system design. When used with Right-Comm 2-Line Duct, fitting and duct systems are drawn as calculating 2-Line systems



A new capability for 2003 is the ability of Right-CommDuct (when used with CommLoad, CommDraw and Comm 2-Line Duct) to provide calculating 2-line CAD quality duct designs that display CFM changes at the register instantly.

wrightsoft™

The Leader in HVAC Design
and Sales Software

RIGHT-COMM DUCT

Right-CommDuct combines ASHRAE's latest duct fitting database with your choice of computation methods: equal friction, modified equal friction and static regain. You can also enter an existing system and actual available pressure to determine problems and how to solve them.

Right-CommDuct handles sheet metal, fiberglass, vinyl flex, metal flex, and oval, round, or rectangular ducts. You can pre-set your preferred fittings for all common situations (takeoffs, reductions, tees, etc), and even preset your common practices for maximum velocity, maximum Btu's per run, and other important repeating values.

Right-CommDuct has an additional special calculation mode, **Existing System**, in which you specify the available fan pressure, draw an existing real world duct system, and then specify the actual duct sizes. Right-CommDuct calculates the air flow that will actually come out of each register! You can compare this to the correct air flow, as calculated by Right-CommLoad, and diagnose problem systems. Using this approach, you can see what it will take to fix a bad system. When the design air flows match the (modified) actual air flows, you're in business.

The full power of RCDuct is displayed when you combine it with Right-CommLoad, CommDraw and Comm 2-Line Duct to produce automatically sized 2-Line duct systems. These systems can serve multiple zones and multiple configurations. Integrated together as the Right-Suite Commercial package, these four modules yield a design system that automatically resizes 2-line duct and fitting systems as you change the building description. Information from Right-CommDuct regarding air flow and duct size is automatically fed back to the Right-CommDraw board.

Right-CommDuct Features Include:

- Handles sheet metal, fiberglass, vinyl flex, metal flex, and oval, round or rectangular ducts
- Automated layout of commercial duct designs
- Hot linked to Right-CommDraw
- Hot linked to Right-CommLoad
- Hotlined to Right-Comm 2-Line Duct
- Ships with ASHRAE database of fittings