

# Right- 2 Line Duct

Right-Suite Residential's 2-line duct design module draws ductwork corresponding to ACCA's Manual-D duct database of fittings.

***Each duct system is automatically recalculated every time the building or the duct system is modified. Designers can play 'What If?' in ways never before possible.***

Please call Wrightsoft sales at 800-225-8697 for promotional pricing.

(See Reverse for Additional Features)

**Wrightsoft**  
394 Lowell Street  
Lexington, MA 02420  
Sales: 800-225-8697  
Fax: 781-861-2058  
E-mail: sales@wrightsoft.com

[www.wrightsoft.com](http://www.wrightsoft.com)

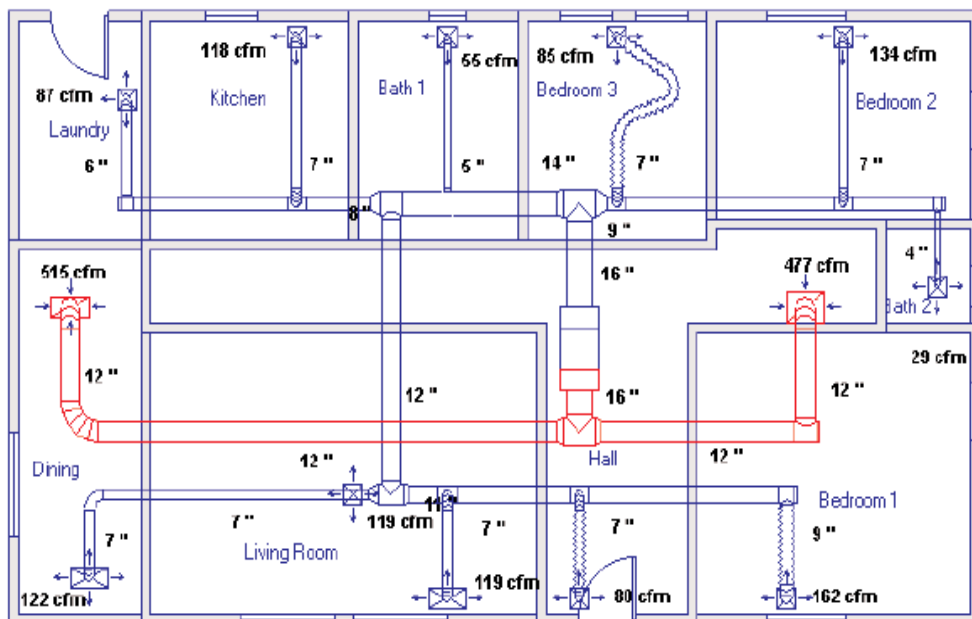
## WRIGHTSOFT AUTOMATES 2-LINE CAD QUALITY DUCTWORK

New for 2003, Right-Suite Residential (RSR) has a new 2-Line Duct Design module, Right-2 Line Duct which produces 2-line plan views of HVAC ductwork. RSR's 2-line module reads and writes to an AutoCAD DWG and DXF file. Users can read an architect's CAD file, use that file for input, and then design the duct system using RSR's load calculation and automated duct sizing modules. RSR converts one-line drawings to 2-line drawings automatically. RSR can then write the designed duct system back into the original AutoCAD DWG file.

Once a building load has been generated, RSR automatically generates registers for each room with the required CFM's. Designers can add and delete registers, as well as specify size and shapes of registers. Designers then either request an automatic layout system of a certain type or draw the duct system manually.

Right-Suite Residential's 2-line module uses fitting symbols corresponding to ACCA's Manual-D duct database of fittings. Each duct system is calculated every time the building or the duct system is modified. Designers can play 'What If?' in ways never before possible.

RSR's unique automatic configuration of duct components allows designers to establish their preferences for fitting types in different scenarios (for example: rectangular trunk to branch takeoff) and to have automatic insertion of fittings as the system is drawn. Designers are free to concentrate on system design and to leave the computations and the fitting drawings to RSR.



# New Residential 2-Line Duct Design Module

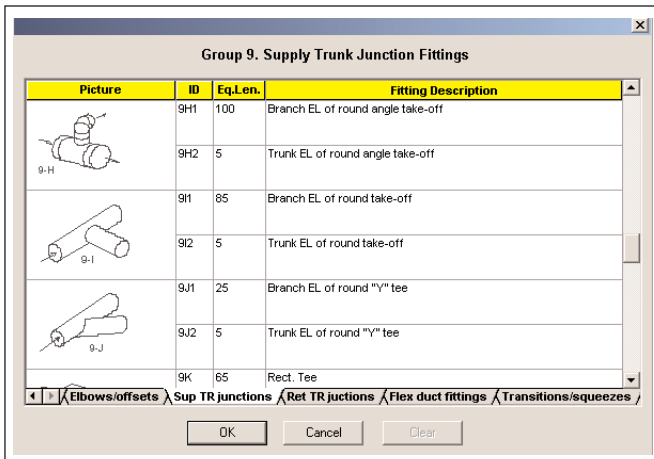
# right-suite™ RESIDENTIAL

## A TYPICAL USE OF THE NEW RSR 2-LINE DUCT MODULE:

1. Designer receives CAD file or paper drawings.
2. Designer does thermal zoning layout for load calculation, using RSR's smart HVAC-Shapes for rooms, windows, doors, sky lights, etc.
3. Designer moves automatic registers to desired location, adding and deleting as needed.
4. Designer uses drag-and-drop HVAC-Shapes supply and return ducts to lay out duct work. For simple systems, Designer uses automatic layout and fine tunes ductwork manually.
5. Designer turns on 2-line ductwork and reviews positioning and fittings. Designer may change fittings, move ductwork, in 2-line or 1-line mode. Switching back and forth is easy and quick.
6. Drawings can be annotated with a full line of text, bitmap, and line drawing tools, to provide schedules and special notes. Automatic generation of duct sizes and airflows enhances productivity.
7. Designer writes HVAC duct system drawing back into CAD file.

## RSR 2-Line Benefits & Features:

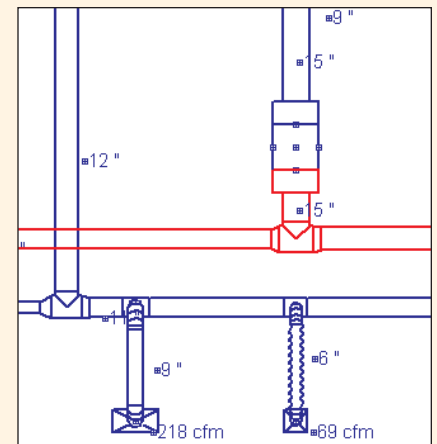
- Easy to use drag-and-drop symbols for duct components.
- 1-line duct components use standard Windows conventions, such as delete, property sheets, drag, copy, etc.
- Duct components snap together and automatically recalculate.
- Duct components interpret usage situation and use designer preferences for fitting choice.
- CAD quality 2-line drawings for duct components.
- 2-line fittings automatically adjust to size and angle as required.
- Flex ducts can be drawn in any shape.
- Automatic recalculation as flex ducts bend and grow in length.
- Right-Suite Residential, when used with Right-Draw, Right-J8 and Right-D is a free standing program. You don't need to buy CAD.
- RSR 2-line offers automated materials takeoff and match-up to residential fittings and estimates
- Also offers flex duct junction boxes and auto-sizing of registers.



Right-Suite Residential contains hundreds of duct fittings in the RSR database: These correspond and originate from ACCA's Manual-D duct database of fittings and cover a large range of angles and types. Fittings are automatically selected for the designer based on the duct system design and displayed as 2-Line.

RSR's unique automatic configuration of duct components allows designers to establish their preferences for fitting types in different scenarios (for example: rectangular trunk to branch takeoff) and to have automatic insertion of fittings as the system is drawn.

Designers are free to concentrate on system design, and to leave the computations and the fitting drawings to RSR.



Right-Suite Residential's 2-line ducts, registers and fittings are highly realistic.

**Wrightsoft**  
**394 Lowell Street**  
**Lexington, MA 02420**  
**Sales: 800-225-8697**  
**Fax: 781-861-2058**  
**E-mail:**  
**sales@wrightsoft.com**

[www.wrightsoft.com](http://www.wrightsoft.com)

# wrightsoft™

The Leader in HVAC Design  
and Sales Software